



Features:

- Beam Angle 85° x 135°
- Power Factor >0.99 @ 120V
- Mount dimensions ø60 mm
- 10 kV Surge Protection Standard
- >70 CRI
- High efficacy at 130 lumen per watt
- Operating Temp Range -40°-140° F / Rh 10-95%
- Clear lens
- Photocell optional
- 0-10V dimming option available (DM = Dimmable)
- Silver finish is standard. Other colors available
- Light Distribution Type 3 Standard - 1,2,4 & 5 available
- THD <8% @ 120V
- Dark Sky Friendly

- Input Voltage 120-277V, or 347-480V
- Workable Voltage 90-305V, or 180-528V
- Net Weight 11-20 lbs.
- IP65 Ingress Protection-Rated for wet locations
- Wind and salt spray resistant
- Dimensions: 11.4"(w) x 3.4"(h) x 13.4"-29.3"(length, based on wattage)
- 7-year warranty, additional options available

Applications:

- Roadways
- Industrial settings
- Outdoor parking structures

Ordering Information: EX. SLA-5L-50K-T3-UL-SL-PC



Model	Lumen Package	CCT	Distribution Type	Voltage	Fixture Finish	Options
SLA	3L = 3,000 Lm, 30W 5L = 5,000 Lm, 40W 8L = 7,900 Lm, 60W 10L = 9,600 Lm, 75W 11L = 11,400 Lm, 90W 16L = 16,500 Lm, 128W 27L = 27,000 Lm, 220W	40K = 4000K 50K = 5000K	T1 = Type 1 T2 = Type 2 T3 = Type 3 T4 = Type 4 T5 = Type 5	UL= 120-277v UH= 347-480v	SL = Silver DB = Dark Bronze WH = White BL = Black GR = Green	PC = Photocell

V Distribution Curve, Road lighting effect

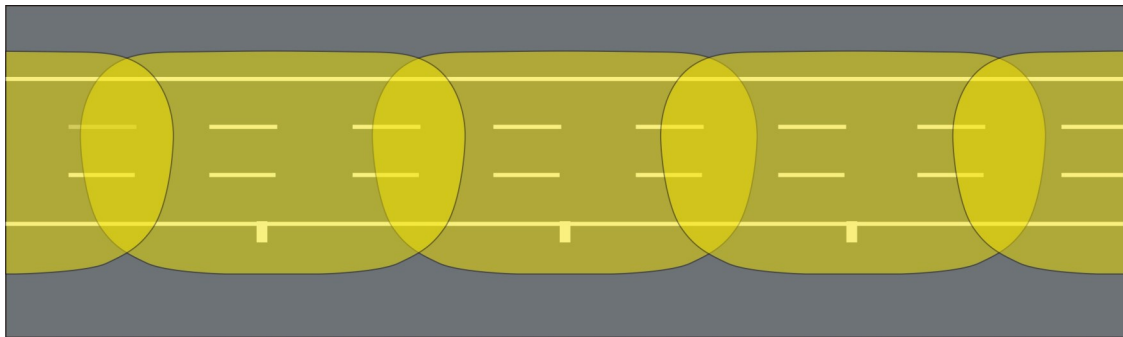
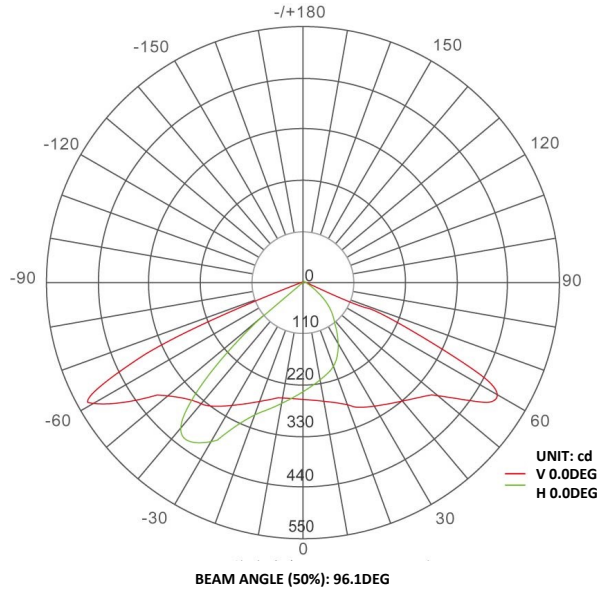
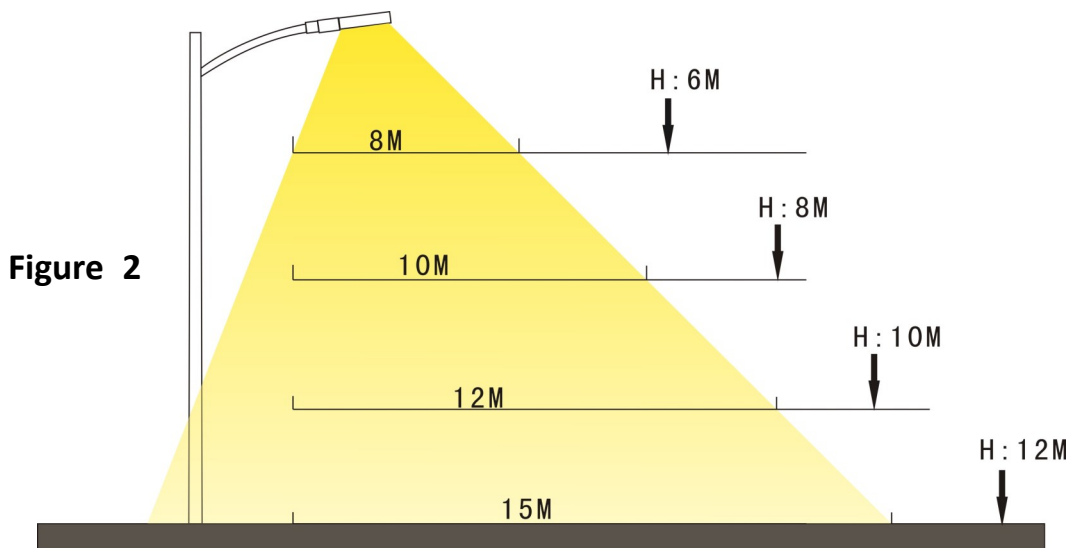
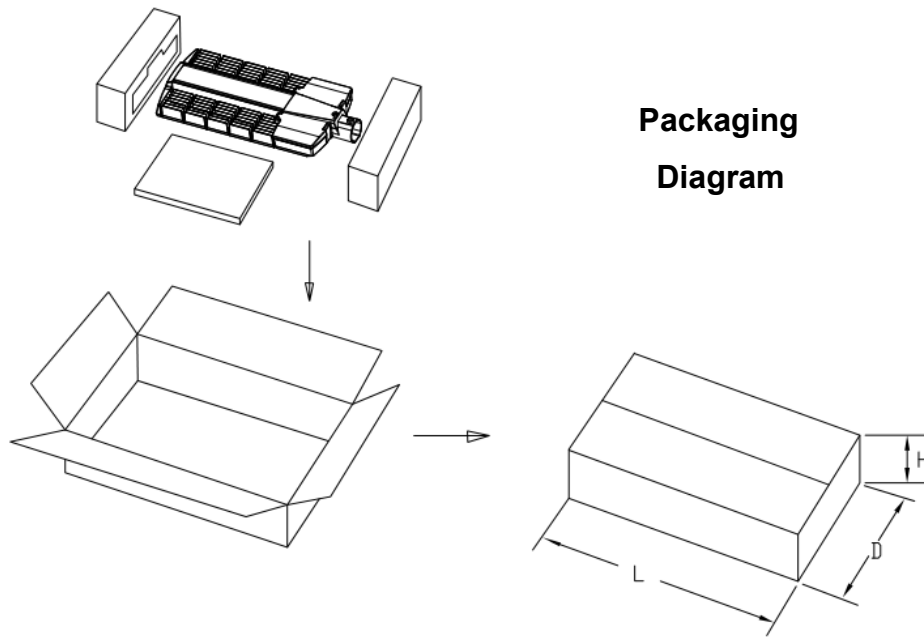
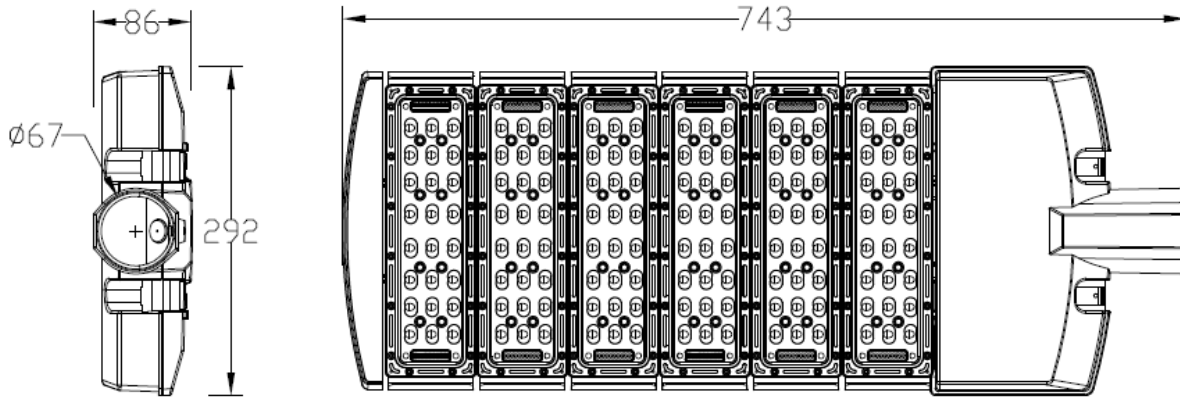


Figure 1



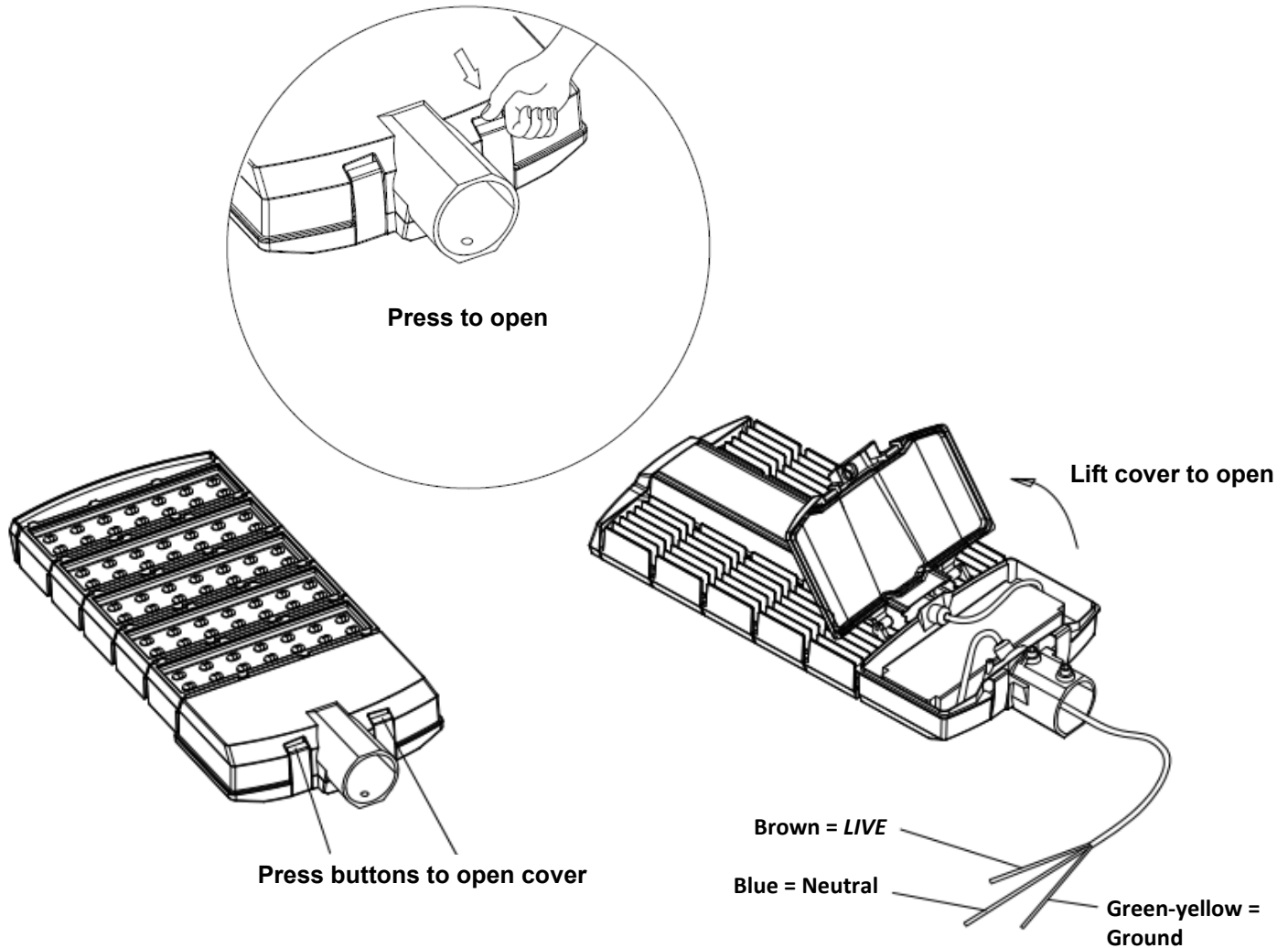
UNIT DIMENSIONS

6 module 743/ 5 module 662/4 module 582/ 3 module 501/ 2 module 421/1 module 340



Model #	SLA-3L-40K-UL	SLA-5L-40K-UL	SLA-8L-40K-UL	SLA-10L-40K-UL	SLA-11L-40K-UL	SLA-16L-40K-UL	SLA-27L-40K-UL
Carton Size (mm)	393X347X142	393X347X142	473X347X142	554X347X142	634X347X142	715X347X142	796X347X142
N.G (KG)	4	4	4.9	5.8	6.4	7	7.85

INSTALLATION INSTRUCTIONS



- **Improper installation may void warranty. Follow all installation instructions**
- To prevent electrical shock, cut off power before installation
- Ensure pole can support weight of luminaire
- Do not cover luminaire
- For safe operation luminaire must be properly grounded